

# PRODUCT INFORMATION PACKET

Model No: 5KCP49UN9612S  
Catalog No: P184  
1,1075,DP,56Z,1/60/115  
Condenser Fans



Regal and Marathon are trademarks of Regal Beloit Corporation or one of its affiliated companies.  
©2018 Regal Beloit Corporation, All Rights Reserved. MC017097E

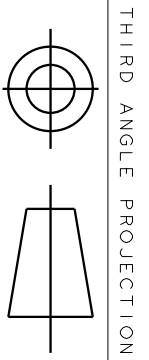
**Nameplate Specifications**

Output HP	<b>1 Hp</b>	Output KW	<b>0.75 kW</b>
Frequency	<b>60 Hz</b>	Voltage	<b>115 V</b>
Current	<b>10.8 A</b>	Speed	<b>1075 rpm</b>
Service Factor	<b>1</b>	Phase	<b>1</b>
Efficiency	<b>70.5 %</b>	Duty	<b>Continuous</b>
Insulation Class	<b>B</b>	Design Code	<b>-</b>
KVA Code	<b>D</b>	Frame	<b>56Z</b>
Enclosure	<b>Drip Proof</b>	Overload Protector	<b>AUTO</b>
Ambient Temperature	<b>40 °C</b>	Drive End Bearing Size	<b>6203</b>
Opp Drive End Bearing Size	<b>6203</b>	UL	<b>Recognized</b>
CSA	<b>Yes</b>	CE	<b>N</b>

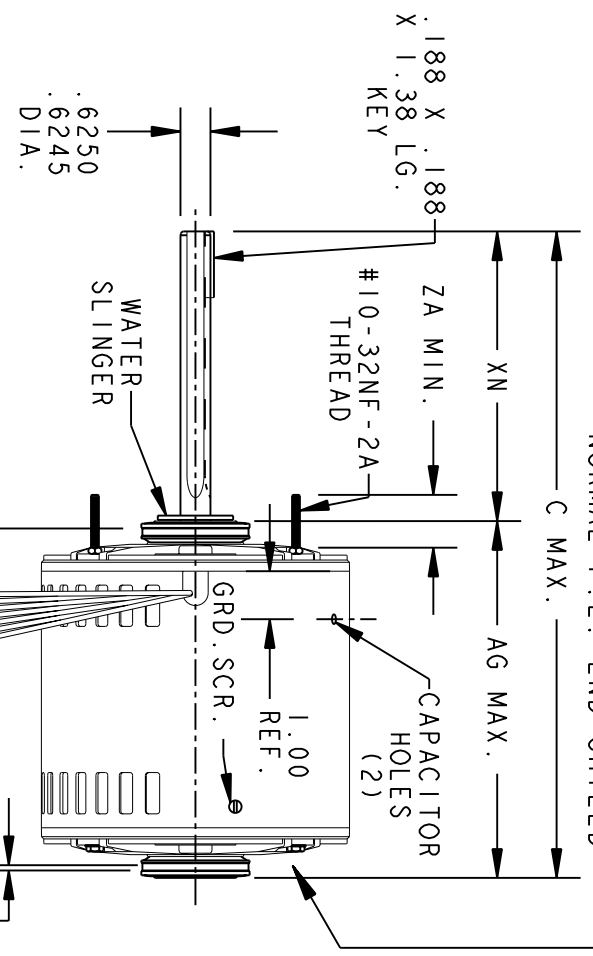
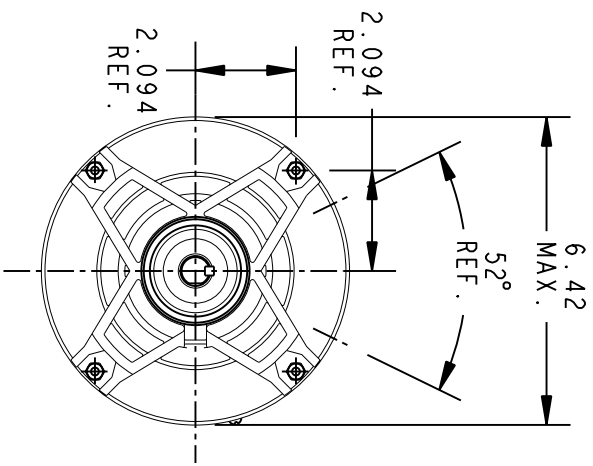
**Technical Specifications**

Electrical Type	<b>Permanent Split Capacitor(PSC)</b>	Starting Method	<b>N/R</b>
Poles	<b>6</b>	Rotation	<b>Counterclockwise/Clockwise</b>
Mounting	<b>Resilient Rings</b>	Motor Orientation	<b>ANY</b>
Drive End Bearing	<b>BALL</b>	Opp Drive End Bearing	<b>BALL</b>
Frame Material	<b>Rolled Steel</b>	Overall Length	<b>14.87 in</b>
Frame Length	<b>6.55 in</b>	Shaft Diameter	<b>0.63 in</b>
Shaft Extension	<b>6 in</b>	Thru-bolts Extension	<b>0</b>
Outline Drawing	<b>52A109649P3</b>	Connection Diagram	<b>52A102886</b>

**This is an uncontrolled document once printed or downloaded and is subject to change without notice. Date Created: 10/08/2018**

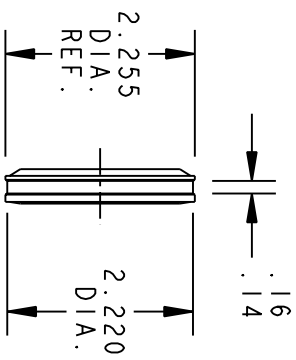


REV.	DESCRIPTION	DATE	APPROVED
5	CHG TO RBC FORMAT PER IS05-1777	03/22/06	SUDHA



NOTE #1  
VENTILATION OPENINGS  
AROUND ENTIRE FACE OF  
NORMAL P.E. END SHIELD

ENLARGED  
VIEW OF  
SHAFT  
EXTENSION



ZB NO. OF LEADS  
51 "/49" LONG  
WITH .62 BWS



RECOMMENDED  
BASE  
THICKNESS

P	TYPE	GE SIZE	NEMA FR	XN	C	AG	ZA	SHELL LG.	ZB	YO
5	KCP	49	56Z	6.07/6.00	17.31	11.24	1.00	8.99	7(DUAL VOLT)	10.98/10.77
4	KCP	49	56Z	6.07/6.00	14.47	8.40	1.00	6.15	5(SING. VOLT)	8.14/7.93
3	KCP	46	56Z	6.07/6.00	14.87	8.80	1.00	6.55	7(DUAL VOLT)	8.54/8.33
2	KCP	49	56Z	6.07/6.00	14.47	8.40	1.00	6.15	7(DUAL VOLT)	8.14/7.93
1	KCP	49	56Z	6.07/6.00	13.66	7.59	1.00	5.34	7(DUAL VOLT)	7.33/7.12

SIGNATURES		DATE
MODEL	M.D. PAPER	07/14/94
DETAIL		
CHECKED		
ENGRG		
MFG		
QUALITY		
ISSUED	M.D. PAPER	09/20/94
SOLID MODEL: 52A109649		



REGAL-BELOTT CORPORATION

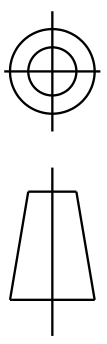
TITLE  
OUTLINE

40 FR. REDESIGN - SPECIAL PURPOSE MOTOR -  
TENV (SE)- DRIP PROOF (PE) - BALL BEARING

SCALE: 0.250 REF. No.:  
52A109649

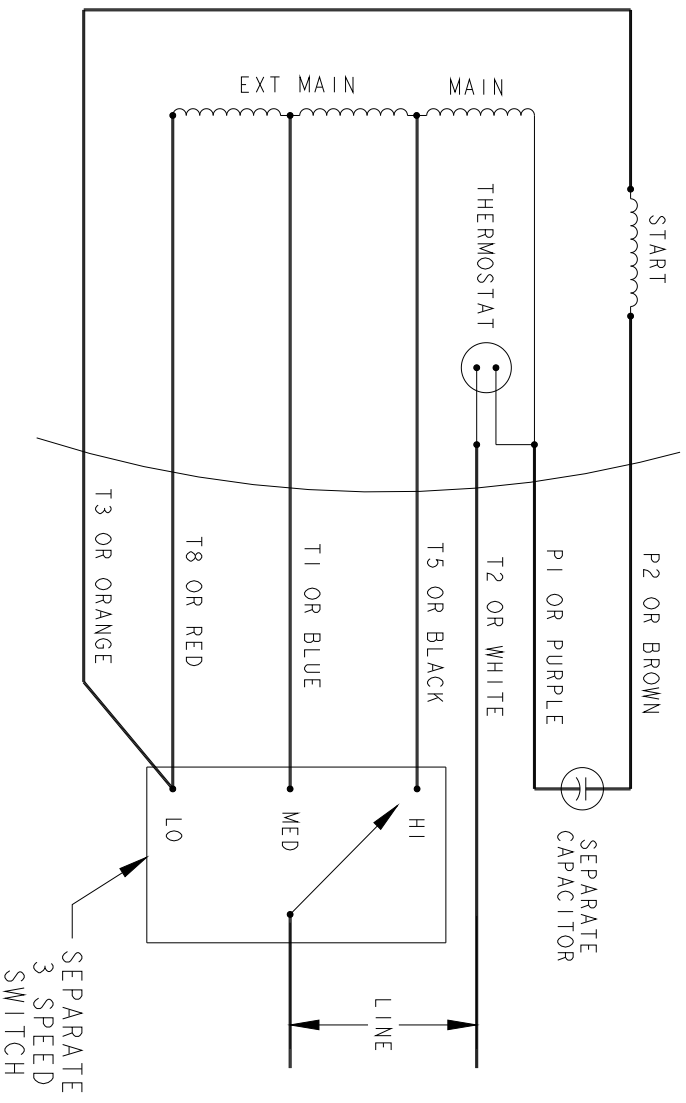
SIZE DRAWING A  
SHEET 1 of 1

THIRD ANGLE PROJECTION




REVISIONS		DESCRIPTION	DATE	APPROVED
1		RETRACED ON CAD.	06/15/00	M.D. PAPE
2		CHG TO RBC FORMAT PER IS05-1777	06/13/06	SUDHA

TYPE KCP - SINGLE VOLTAGE - 3 SPEED  
CCW/CW ROTATION WITH SEPARATE CAPACITOR



NOTE #1: TO REVERSE ROTATION, INTERCHANGE THE P2(OR BROWN) AND T3(OR ORANGE) LEADS.

SIGNATURES		DATE
MODEL	R.D. RORICK	10/23/19
DETAIL		
CHECKED		
ENGRG		
MFG		
QUALITY		
ISSUED	M.D. PAPE	06/15/00
FOR ADDITIONAL INFO REFER TO:		
APPLIED PRACTICES		
DIMENSIONS ARE IN INCHES		
MATERIAL		


  
**REGAL-BELOTT CORPORATION**

**CONNECTION DIAGRAM**  
**FMF - SKCP49UG148S**

TITLE: CONNECTION DIAGRAM  
 SIZE: DRAWING A  
 SCALE: 1.000 REF. No.:  
 52A102886 REV 2  
 SHEET 1 of 1